

SOMERA GRAND



10% HIGHER POWER OUTPUT
compared to industry average poly crystalline module



Engineered to provide **EXCELLENT LOW LIGHT** and **LONGER WAVELENGTH RESPONSE**



EXTREMELY RELIABLE PRODUCT
suited for harsh environment conditions
withstanding 2400Pa Wind load,
5400Pa Snow load



Using highly efficient **PASSIVATED EMITTER REAR CONTACT TECHNOLOGY (PERC)** cells



QUALITY AND SAFETY

- ◆ 27 years of linear power output warranty **
- ◆ Rigorous quality control meeting the highest international standards
- ◆ 100% EL tested to minimise micro crack
- ◆ Excellent anti-PID performance
- ◆ Certified for salt mist corrosion resistance – severity VI
- ◆ Certified for ammonia resistance
- ◆ 3rd Party validated PAN file
- ◆ Certified for sand and dust test

APPLICATIONS

- ◆ On-grid large scale utility systems
- ◆ On-grid rooftop residential and commercial systems
- ◆ Off-grid residential systems

TECHNICAL DATA

SOMERA GRAND

THIS DATASHEET IS APPLICABLE FOR: SOMERA VSM.72.AAA.05 (AAA=365-385)

Electrical Data^{1,2} All data refers to STC

Peak Power P_{max} (Wp) (0 ~ +4.99Wp)	365	370	375	380	385
Maximum Voltage V_{mpp} (V)	39.8	40.0	40.1	40.2	40.3
Maximum Current I_{mpp} (A)	9.17	9.26	9.36	9.46	9.56
Open Circuit Voltage V_{oc} (V)	48.3	48.5	48.7	48.8	48.9
Short Circuit Current I_{sc} (A)	9.73	9.84	9.94	10.04	10.14
Module Efficiency η (%)	18.81	19.07	19.33	19.58	19.84

1) STC:1000 W/m² irradiance, 25°C cell temperature, AM1.5g spectrum according to EN 60904-3. | 2) Power measurement uncertainty is within +/- 3%.

Electrical Parameters at NOCT³

Power (W)	270.2	273.9	277.6	281.2	284.9
$V@P_{max}$ (V)	36.8	36.9	37.1	37.0	37.1
$I@P_{max}$ (A)	7.34	7.41	7.49	7.57	7.65
V_{oc} (V)	44.7	44.9	45.0	44.9	45.0
I_{sc} (A)	7.87	7.96	8.04	8.03	8.11

3) NOCT irradiance 800 W/m², ambient temperature 20°C, wind speed 1 m/sec.

Temperature Coefficients (Tc) permissible operating conditions

Tc of Open Circuit Voltage (β)	- 0.28%/°C
Tc of Short Circuit Current (α)	0.057%/°C
Tc of Power (γ)	-0.39%/°C
Maximum System Voltage	1500 V
NOCT	45°C ± 2°C
Temperature Range	-40°C to + 85°C

Mechanical Data

Length × Width × Height	1956 × 992 × 36 mm (77.01 × 39.06 × 1.42 inches)
Weight	19.5 (42.99 lbs)
Junction Box	IP68/IP67, 3 Bypass diodes
Cable & Connectors	1200 mm (47.24 inches) length cables, MC4 Compatible/MC4 Connectors/Amphenol
Application Class	Class A (Safety class II)
Superstrate [#]	3.2 mm (0.13 inches) high transmission low iron tempered glass, AR coated
Cells	72 Mono PERC, 5BB solar cells
Cell Encapsulant	EVA (Ethylene Vinyl Acetate)
Back Sheet	Composite film
Frame	Anodized aluminium frame with twin wall profile
Mechanical Load Test	5400 Pa (Snow load), 2400 Pa (Wind load)
Maximum Series Fuse Rating	15A (IEC)/ 20A (UL)

* Also available in anti-soil and anti-glare

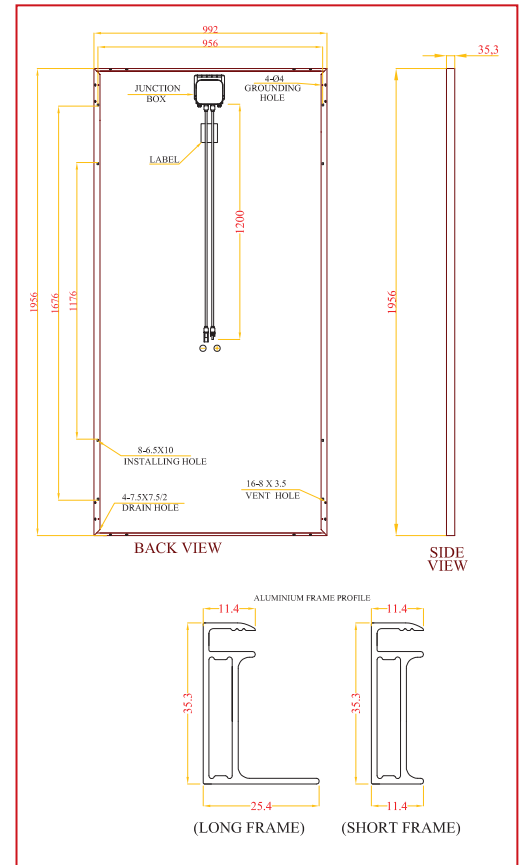
Warranty and Certifications

Product Warranty**	10 years
Performance Warranty**	Linear Power Warranty for 27 years with 3% for 1st year degradation and 0.65% from year 2 to year 27
Approvals and Certificates	IEC 61215:2016, IEC 61730:2016 to IEC 61215:2016, IEC 61730:2016, UL 1703, IEC 61701, IEC 62716, IEC 60068-2-68, IEC 62804, MCS, CE, CAN/CSA 61730, CEC(California) [#] , PV Cycle [®] , IS 14286, IS/IEC 61730

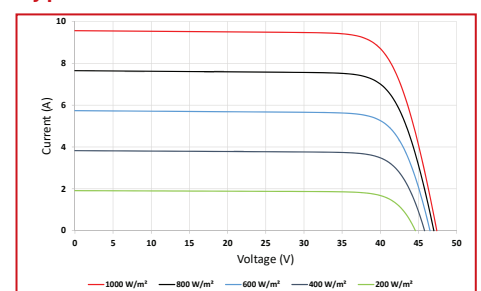
Packaging Information

Quantity/Pallet: 30	Pallets/Container (40'HC): 24	Quantity/Container (40'HC): 720
---------------------	-------------------------------	---------------------------------

Dimensions in mm

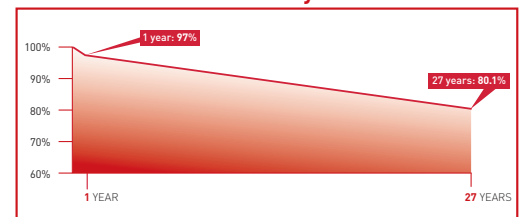


Typical I-V Curves⁴



4) Average relative efficiency reduction of 5% at 200 W/m² according to EN 60904-1.

Performance Warranty



[^] All (*) certifications under progress

** Refer to Vikram Solar's warranty document for terms and conditions

[#] CEC (California) power range upto 380 Wp.

CAUTION: READ SAFETY AND INSTALLATION MANUAL BEFORE USING THE PRODUCT.

Specifications included in this datasheet are subject to change without notice. Electrical data without guarantee. Please confirm your exact requirement with the company representative while placing your order.

Vikram Solar and Somera and the accompanying Logos are trademarks of Vikram Solar Limited registered in India.